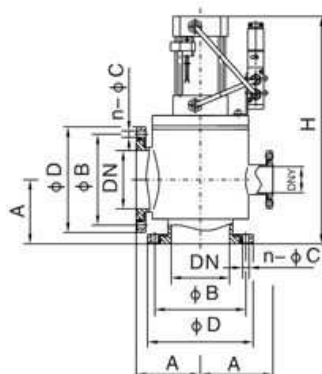


Pneumatic high vacuum isolation valve- large sizes



pneumatic high vacuum damper valve, motivated by compressed air, pushes the cylinder to up and down move with the valve rod by changing the direction of electromagnetism to transform the gas circuit direction, which drives the valve to open or close, in order to cut off or connect gas flow in the vacuum system. J is angle type and J(S) is three-way type with pre pumping. Applicable medium can be air and noncorrosive gases.

Basic Dimensions

Applicable Scope(m.Bar)	$10^3 \sim 1.3 \times 10^{-8}$
Valve Leak Rate(m.Bar.L/S)	$\leq 1.3 \times 10^{-9}$
Medium Temperature (°C)	-30~+150 (Seal Material: viton)
Air Source Pressure (MPa)	0.4~0.8
Flange Standard	GB4982
Install Position	DN<300 arbitrary, DN≥300vertical
Power Voltage	Standard Technism : AC220V/50Hz especially for AC110V ; DC24V ; DC12V
Signal Feedback	Standard Technism : without signal feedback especially for magnetic switchDC/AC5~240V

Overall Dimensions

Model	Diameter(DN)	φD	φB	H	A	Flange Standard
PRIV-J10(b)/KF	10	30	12.2	180	30	GB4982
PRIV -J16(b)/KF	16	30	17.2	180	40	GB4982
PRIV -J25(b)/KF	25	40	26.2	200	50	GB4982
PRIV -J40(b)/KF	40	55	41.2	210	65	GB4982
PRIV -J50(b)/KF	50	75	52.2	276	70	/

Lap Joint Flange connection and size

Model	Diameter(DN)	ΦD	ΦB	H	A	n-ΦC	DNy	Flange Standard
PRIV -J50(b)	50	110	90	276	70	4-Φ9	/	GB/T6070
PRIV -J63(b)	63	130	110	283	88	4-Φ9	/	GB/T6070
PRIV -J80(b)	80	145	125	314	88	8-Φ9	/	GB/T6070
PRIV -J100(b)	100	165	145	338	108	8-Φ9	/	GB/T6070
PRIV -J125(b)	125	200	175	424	128	8-Φ11	/	GB/T6070
PRIV -J(S)150(b)	150	220	195	482	138	8-Φ11	DN40(GB4982)	JB919
PRIV -J(S)160(b)	160	225	200	482	138	8-Φ11	DN40(GB4982)	GB/T6070
PRIV -J(S)200(b)	200	285	260	620	200	12-Φ11	DN50(GB/T6070)	GB/T6070
PRIV -J(S)250(b)	250	335	310	655	208	12-Φ11	DN50(GB/T6070)	GB/T6070
PRIV -J(S)300(b)	300	380	350	783	250	8-Φ14	DN80(GB/T6070)	JB919
PRIV -J(S)320(b)	320	425	395	789	250	12-Φ14	DN80(GB/T6070)	GB/T6070
PRIV -J(S)400(b)	400	510	480	1210	330	16-Φ14	DN100(GB/T6070)	GB/T6070
①PRIV -J(S)400(b)	400	500	465	1210	330	16-Φ14	DN100(GB/T6070)	JB919
PRIV -J(S)500(b)	500	610	580	1280	360	16-Φ14	DN125(GB/T6070)	GB/T6070
PRIV -J(S)600(b)	600	710	670	1512	450	12-Φ21	DN160(GB/T6070)	JB919
PRIV -J(S)630(b)	630	750	720	1512	450	20-Φ14	DN160(GB/T6070)	GB/T6070
PRIV -J(S)800(b)	800	920	890	1900	520	24-Φ14	DN200(GB/T6070)	GB/T6070

Overall Dimension

Model	Diameter(DN)	ΦD	ΦB	A	Flange standard
PRIV -J10A/KF	10	30	12.2	30	GB4982
PRIV -J16A/KF	16	30	17.2	40	GB4982
PRIV -J25A/KF	25	40	26.2	50	GB4982
PRIV -J40A/KF	40	55	41.2	65	GB4982
PRIV -J50A/KF	50	75	52.2	70	/

Model	Diameter(DN)	ΦD	ΦB	A	n-ΦC	DNy	Flange Standard
PRIV -J50A	50	110	90	70	4-Φ9	/	GB/T6070
PRIV -J63A	63	130	110	88	4-Φ9	/	GB/T6070
PRIV -J80A	80	145	125	88	8-Φ9	/	GB/T6070
PRIV -J100A	100	165	145	108	8-Φ9	/	GB/T6070
PRIV -J125A	125	200	175	128	8-Φ11	/	GB/T6070
PRIV -J(S)150A	150	220	195	138	8-Φ11	DN40(GB4982)	JB919
PRIV -J(S)160A	160	225	200	138	8-Φ11	DN40(GB4982)	GB/T6070
PRIV -J(S)200A	200	285	260	200	12-Φ11	DN50(GB/T6070)	GB/T6070
PRIV -J(S)250A	250	335	310	208	12-Φ11	DN50(GB/T6070)	GB/T6070
PRIV -J(S)300A	300	380	350	250	8-Φ14	DN80(GB/T6070)	JB919
PRIV -J(S)320A	320	425	395	250	12-Φ14	DN80(GB/T6070)	GB/T6070
PRIV -J(S)400A	400	510	480	330	16-Φ14	DN100(GB/T6070)	GB/T6070
①PRIV -J(S)400A	400	500	465	330	16-Φ14	DN100(GB/T6070)	JB919
PRIV -J(S)500A	500	610	580	360	16-Φ14	DN125(GB/T6070)	GB/T6070
PRIV -J(S)600A	600	710	670	450	12-Φ21	DN160(GB/T6070)	JB919
PRIV -J(S)630A	630	750	720	450	20-Φ14	DN160(GB/T6070)	GB/T6070
PRIV -J(S)800A	800	920	890	520	24-Φ14	DN200(GB/T6070)	GB/T6070

Remark : ①JB919 Flange connection standard, the side is for GB/T6070 standard