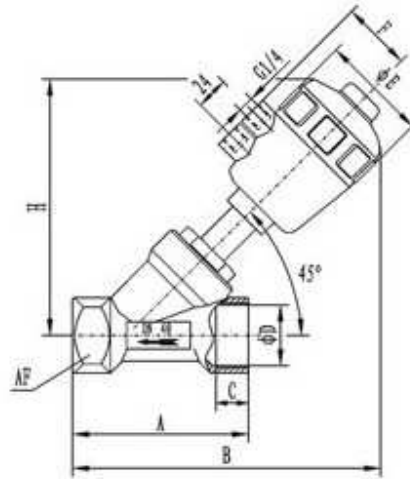


## Piston angle pedestal valve



This piston angle pedestal valve is fit for steam and gas. The temperature can reach to 180°C. Outer gasses guide, The valve

angle pedestal structure can fulfill large flow with no need for repair. It is of high reliability for the executive mechanism with long service life piston ring.

### Main Technical Performance

Applicable scope	1.6MPa
Medium temp(°C)	-10~+180
Ambient temp (°C)	-10~+60
Valve body material	stainless steel
Sealing material	teflon
Actuator outer skin	polyamide
Control medium	neutral gas, air

### Overall and Connection Dimensions(mm)

Port (ΦD)	Inner bore(DN)	Actuator size (mm)	A	B	C	ΦE	F	H	A/F
A1	25	63	105	21	22	80	52	173	41
A11/2	40	63	130	230	24	80	52	189	55
A2	50	63	150	250	25	80	52	205	70

ph: +91-080-23327059 Mob: +91-9886726920,  
e mail: [support@uniquevacuum.co.in](mailto:support@uniquevacuum.co.in)