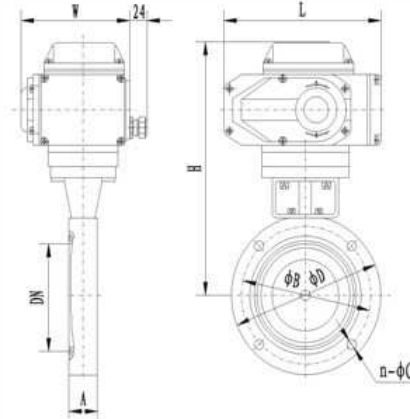


## BUTTERFLY VALVES

### Electric high-vacuum Butterfly Valve



These Electric High-vacuum Butterfly Valves adopts the rotary electric, electronic regulation type valve drive device. It can fulfill the valve open/close or intermediate position control through externally-connected power source conversion (by manual indexing switch or computer control) or outer input signal. It is applicable for connecting or cutting off the airflow in vacuum tubes.

#### Technical specification:

#### Operation range (m. BAR)

Valve Leakage Rate(m.Bar.L/S)

Time for opening and closing the valve (S)

Medium temperature (°C)

Flange Standard

Installation location

Rated voltage

Signal Feedback

Quick release flange (KF)  $2 \times 10^{-3} \sim 1.3 \times 10^{-7}$

Loose flange  $16 \times 10^{-7} \sim 1.3 \times 10^{-7}$

$\leq 1.3 \times 10^{-7}$

DN≤63 20 ; 80≤DN≤200 30 ; DN≥250 48

-25~+80(Sealing Material NBR)

-30~+150( Sealing Material FPM)

JB919

Random

Standard manufacture : AC220V/50Hz Switch type

Special designation : AC380V ; DC24V Switch type

4~20mA DC

Standard manufacture : Without passive contactor

Special designation : 4~20mA DC Adjustable

#### Dimensions :

Model	Nominal Diameter(DN)	ΦD	ΦB	H	A	L	W	n-ΦC
EBV-25	25	70	55	177				
EBV -32	32	78	64	182	22	160	113	4-Φ7
EBV -40	40	85	70	186				
EBV -63	63	130	110	229	26			4-Φ9
EBV -80	80	145	125	273	30	196	121	4-Φ12
EBV -100	100	170	145	285				
EBV -125	125	195	170	299	35			
EBV -150	150	220	195	368				
EBV -200	200	275	250	394	40	255	158	8-Φ12
EBV -250	250	330	300	426	45			
EBV -300	300	380	350	449	55			8-Φ14
EBV -400	400	500	465	538	60	310	207	8-Φ18