

VACUUM COMPONENTS

ISO KF FLANGE FITTINGS

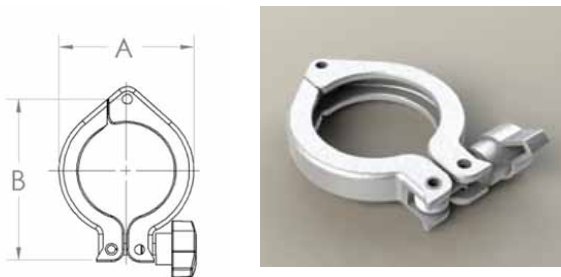
The ISO KF range of vacuum flanges and fittings are made from high quality stainless steel grades like SS304, SS304L, SS316, SS316L and so on. The general purpose high vacuum applications are from SS304 material and the same are available ex – stock for most of the part numbers.

This method of KF assembly utilize a metal aluminum clamp for holding two similar flanges along with the centre ring and an rubber O ring, the wing nut clamp is used to dismantle the assembly as and when required, just by rotating the wing nut without using any tool.

The tight vacuum seal is possible by applying the pressure on the 15° tapered surface of the flange.

The mating parts of the two flanges, compresses the O ring (held in between the two flanges by an metal centre ring) making the assembly possible to work at vacuum levels up to 10⁻⁷ mbar and baked up to 200°C.

NW QUICK CLAMP – ALUMINIUM



PART NUMBER	PNEUROP	A	B
AL-CL-KF1016	NW16	40 (1.57)	64 (2.52)
AL-CL-KF-25	NW25	50 (1.97)	74 (2.91)
AL-CL-KF-40	NW40	65 (2.56)	89 (3.50)
AL-CL-KF-50	NW50	87 (3.43)	109 (4.29)

All measurements are in millimetres (inches in brackets)

NW CENTERING RINGS –



SS CENTRE RINGS WITH VITON O RINGS

PART NUMBER	PNEUROP	A	B	D1	D2
SS-CR-VIT-KF10	NW10	8 (0.31)	3.9 (0.15)	10 (0.39)	12 (0.47)
SS-CR-VIT-KF16	NW16	8 (0.31)	3.9 (0.15)	16 (0.63)	17 (0.67)
SS-CR-VIT-KF25	NW25	8 (0.31)	3.9 (0.15)	25 (0.98)	26 (1.02)
SS-CR-VIT-KF40	NW40	8 (0.31)	3.9 (0.15)	40 (1.57)	41 (1.61)
SS-CR-VIT-KF50	NW50	8 (0.31)	3.9 (0.15)	50 (1.97)	52 (2.05)

All measurements are in millimetres (inches in brackets)

SS CENTRE RINGS WITH NITRLE O RINGS

PART NUMBER	PNEUROP	A	B	D1	D2
SS-CR-NIT-KF10	NW10	8 (0.31)	3.9 (0.15)	10 (0.39)	12 (0.47)
SS-CR- NIT-KF16	NW16	8 (0.31)	3.9 (0.15)	16 (0.63)	17 (0.67)
SS-CR- NIT-KF25	NW25	8 (0.31)	3.9 (0.15)	25 (0.98)	26 (1.02)
SS-CR- NIT-KF40	NW40	8 (0.31)	3.9 (0.15)	40 (1.57)	41 (1.61)
SS-CR- NIT-KF50	NW50	8 (0.31)	3.9 (0.15)	50 (1.97)	52 (2.05)

All measurements are in millimetres (inches in brackets)

ALUMINUM CENTRE RINGS WITH VITON O RINGS

PART NUMBER	PNEUROP	A	B	D1	D2
AL-CR-VIT-KF10	NW10	8 (0.31)	3.9 (0.15)	10 (0.39)	12 (0.47)
AL-CR- VIT-KF16	NW16	8 (0.31)	3.9 (0.15)	16 (0.63)	17 (0.67)
AL-CR- VIT-KF25	NW25	8 (0.31)	3.9 (0.15)	25 (0.98)	26 (1.02)
AL-CR- VIT-KF40	NW40	8 (0.31)	3.9 (0.15)	40 (1.57)	41 (1.61)
AL-CR- VIT-KF50	NW50	8 (0.31)	3.9 (0.15)	50 (1.97)	52 (2.05)

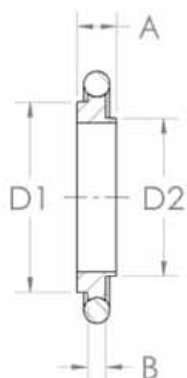
All measurements are in millimetres (inches in brackets)

ALUMINUM CENTRE RINGS WITH NITRLE O RINGS

PART NUMBER	PNEUROP	A	B	D1	D2
AL-CR-NIT-KF10	NW10	8 (0.31)	3.9 (0.15)	10 (0.39)	12 (0.47)
AL-CR- NIT-KF16	NW16	8 (0.31)	3.9 (0.15)	16 (0.63)	17 (0.67)
AL-CR- NIT-KF25	NW25	8 (0.31)	3.9 (0.15)	25 (0.98)	26 (1.02)
AL-CR- NIT-KF40	NW40	8 (0.31)	3.9 (0.15)	40 (1.57)	41 (1.61)
AL-CR- NIT-KF50	NW50	8 (0.31)	3.9 (0.15)	50 (1.97)	52 (2.05)

All measurements are in millimetres (inches in brackets)

NW ADAPTER CENTERING RING



Pressure range 10^{-7} mbar to 1 bar.

Temperature range -10 to 200°C (Sustained 150°C)

Also available in aluminium.

SS ADAPTIVE CENTRE RINGS WITH VITON O RINGS

PART NUMBER	PNEUROP	A	B	D1	D2
SS-ACR-VIT-KF1016	NW10/16	8 (0.31)	3.9 (0.15)	17 (0.67)	12 (0.47)
SS-ACR- VIT-KF2025	NW20/25	8 (0.31)	3.9 (0.15)	26 (1.02)	22 (0.87)
SS-ACR- VIT-KF3240	NW32/40	8 (0.31)	3.9 (0.15)	41 (1.61)	34 (1.34)

All measurements are in millimetres (inches in brackets)

SS ADAPTIVE CENTRE RINGS WITH NITRILE O RINGS

PART NUMBER	PNEUROP	A	B	D1	D2
SS-ACR-NIT-KF1016	NW10/16	8 (0.31)	3.9 (0.15)	17 (0.67)	17 (0.67)
SS-ACR- NIT-KF2025	NW20/25	8 (0.31)	3.9 (0.15)	26 (1.02)	22 (0.87)
SS-ACR- NIT-KF3240	NW32/40	8 (0.31)	3.9 (0.15)	41 (1.61)	34 (1.34)

All measurements are in millimetres (inches in brackets)

ALUMINUM ADAPTIVE CENTRE RINGS WITH VITON O RINGS

PART NUMBER	PNEUROP	A	B	D1	D2
AL-ACR-VIT-KF1016	NW10/16	8 (0.31)	3.9 (0.15)	17 (0.67)	17 (0.67)
AL-ACR- VIT-KF2025	NW20/25	8 (0.31)	3.9 (0.15)	26 (1.02)	22 (0.87)
AL-ACR- VIT-KF3240	NW32/40	8 (0.31)	3.9 (0.15)	41 (1.61)	34 (1.34)

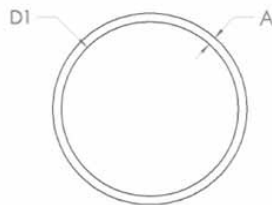
All measurements are in millimetres (inches in brackets)

ALUMINUM ADAPTIVE CENTRE RINGS WITH NITRILE O RINGS

PART NUMBER	PNEUROP	A	B	D1	D2
AL-ACR-NIT-KF1016	NW10/16	8 (0.31)	3.9 (0.15)	17 (0.67)	17 (0.67)
AL-ACR- NIT-KF2025	NW20/25	8 (0.31)	3.9 (0.15)	26 (1.02)	22 (0.87)
AL-ACR- NIT-KF3240	NW32/40	8 (0.31)	3.9 (0.15)	41 (1.61)	34 (1.34)

All measurements are in millimetres (inches in brackets)

NW O-RING - VITON / NITRILE

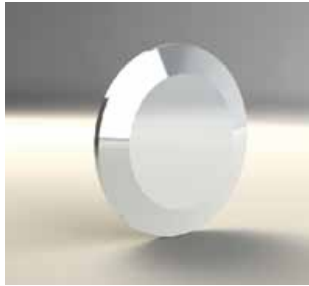
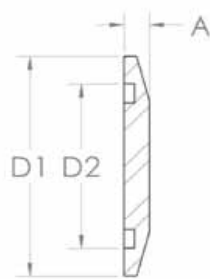


Pressure ranges 10^{-7} mbar to 1 bar absolute.

PART NUMBER VITON	PNEUROP	A	D1	PART NUMBER NITRILE
OR-VIT-KF-10	NW10	5 (0.20)	15(0.59)	OR-NIT-KF-10
OR-VIT-KF-16	NW16	5 (0.20)	18 (0.71)	OR-NIT-KF-16
OR-VIT-KF-25	NW25	5 (0.20)	28 (1.10)	OR-NIT-KF-25
OR-VIT-KF-40	NW40	5 (0.20)	42 (1.65)	OR-NIT-KF-40
OR-VIT-KF-50	NW50	5 (0.20)	55 (2.17)	OR-NIT-KF-50

All measurements are in millimetres (inches in brackets)

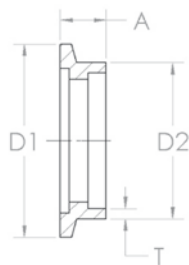
NW BLANK FLANGES



PART NUMBER STAINLESS STEEL	PNEUROP	A	D1	D2	PART NUMBER ALUMINUM
SS-BLK-KF10	NW10	6 (0.24)	30 (1.18)	12 (0.47)	AL-BLK-KF10
SS-BLK -KF16	NW16	6 (0.24)	30 (1.18)	17.2 (0.68)	AL-BLK -KF16
SS-BLK -KF25	NW25	6 (0.24)	40 (1.57)	26.2 (1.03)	AL-BLK -KF25
SS-BLK -KF40	NW40	6 (0.24)	55 (2.17)	41.2 (1.62)	AL-BLK -KF40
SS-BLK -KF50	NW50	6 (0.24)	75 (2.95)	52.2 (2.06)	AL-BLK -KF50

All measurements are in millimetres (inches in brackets)

NW SOCKET WELD FLANGE – STAINLESS STEEL

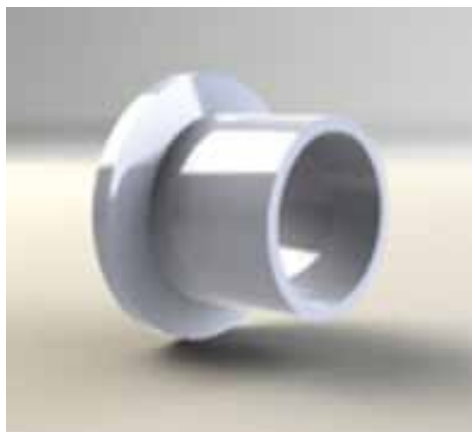
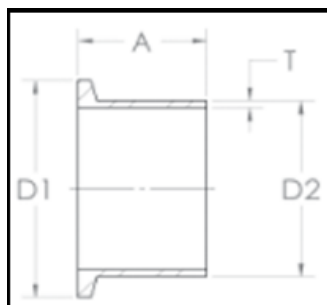


PART NUMBER	PNEUROP	A	D1	D2	T
SS-SWF-KF-16A	NW16	12.7 (0.5)	30 (1.18)	15.5(0.61)	1.25 (0.05)
SS-SWF-KF-16	NW16	12.7 (0.5)	30 (1.18)	22.1(0.87)	1.40 (0.06)
SS-SWF-KF-25	NW25	12.7 (0.5)	40 (1.57)	28.6(1.13)	1.35 (0.05)
SS-SWF-KF-40	NW40	12.7 (0.5)	55 (2.17)	44.5(1.75)	2.95 (0.12)
SS-SWF-KF-50	NW50	12.7 (0.5)	75 (2.95)	57.2(2.25)	2.95 (0.12)

Special lengths, diameters and imperial tube available on request.

All measurements are in millimetres (inches in brackets)

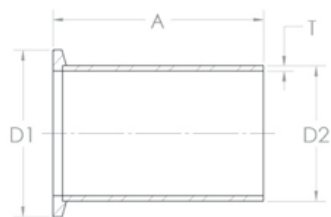
NW TUBULAT ION SHORT WELD FLANGE – STAINLESS STEEL



PART NUMBER	PNEUROP	A	D1	D2	T
SS-TSWF-KF10	NW10	30.0 (1.18)	30.0 (1.18)	14.0 (0.55)	2.0 (0.08)
SS-TSWF-KF16	NW16	30.0 (1.18)	30.0 (1.18)	20.0 (0.79)	2.0 (0.08)
SS-TSWF-KF25	NW25	30.0 (1.18)	40 (1.57)	28.0 (1.10)	2.0 (0.08)
SS-TSWF-KF40	NW40	30.0 (1.18)	55 (2.17)	44.5 (1.75)	1.6 (0.06)
SS-TSWF-KF50	NW50	30.0 (1.18)	75 (2.95)	57.0 (2.24)	3.0 (0.12)
SS-TSWF-KF10THN	NW10	12.7 (0.50)	30.0 (1.18)	14.0 (0.55)	1.7 (0.07)
SS-TSWF-KF16THN	NW16	12.7 (0.50)	30.0 (1.18)	19.1 (0.75)	1.7 (0.07)
SS-TSWF-KF25THN	NW25	12.7 (0.50)	40 (1.57)	25.4 (1.00)	1.7 (0.07)
SS-TSWF-KF40THN	NW40	19.0 (0.75)	55 (2.17)	38.1 (1.50)	1.7 (0.07)
SS-TSWF-KF50THN	NW50	19.0 (0.75)	75 (2.95)	50.8 (2.00)	1.7 (0.07)

Special lengths, diameters and imperial tube available on request.
All measurements are in millimetres (inches in brackets)

NW TUBULAT ION LONG WELD FLANGE – STAINLESS STEEL



PART NUMBER	PNEUROP	A	D1	D2	T
SS-TLWF-KF10	NW10	70 (2.76)	30.0 (1.18)	14.0 (0.55)	2.0 (0.08)
SS-TSWF-KF16	NW16	70 (2.76)	30.0 (1.18)	20.0 (0.79)	2.0 (0.08)
SS-TSWF-KF25	NW25	70 (2.76)	40 (1.57)	28.0 (1.10)	2.0 (0.08)
SS-TSWF-KF40	NW40	70 (2.76)	55 (2.17)	44.5 (1.75)	2.0 (0.08)
SS-TSWF-KF50	NW50	70 (2.76)	75 (2.95)	57.0 (2.24)	3.0 (0.12)
SS-TSWF-KF10THN	NW10	40 (1.57)	30.0 (1.18)	14.0 (0.55)	1.7 (0.07)
SS-TSWF-KF16THN	NW16	40 (1.57)	30.0 (1.18)	19.1 (0.75)	1.7 (0.07)
SS-TSWF-KF25THN	NW25	40 (1.57)	40 (1.57)	25.4 (1.00)	1.7 (0.07)
SS-TSWF-KF40THN	NW40	40 (1.57)	55 (2.17)	38.1 (1.50)	1.7 (0.07)
SS-TSWF-KF50THN	NW50	40 (1.57)	75 (2.95)	50.8 (2.00)	1.7 (0.07)

Special lengths, diameters and imperial tube available on request.

All measurements are in millimetres (inches in brackets)

NW WIRE REINFORCED HOSE – PVC



PART NUMBER	PNEUROP	A	D1 NOMINAL BORE
PVC10	NW10	1000 (39.37)	14.0 (0.55)
PVC16	NW16	1000 (39.37)	19.05 (0.75)
PVC25	NW25	1000 (39.37)	25.40 (1.00)
PVC40	PVC50	1000 (39.37)	38.10 (1.50)
PVC50	NW50	1000 (39.37)	50.80 (2.00)

All measurements are in millimetres (inches in brackets)

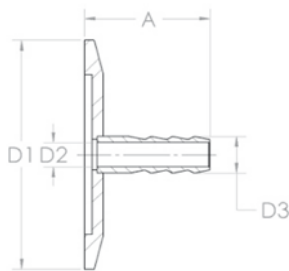
NW HOSE CONNECTORS - PVC / STAINLESS STEEL



PART NUMBER	PNEUROP	A	D1 NOMINAL BORE
PVC-HC-KF10-250	NW10	250 (9.84)	30 (1.18)
PVC-HC-KF10-500	NW10	500 (19.69)	30 (1.18)
PVC-HC-KF10-750	NW10	750 (29.53)	30 (1.18)
PVC-HC-KF10-1000	NW10	1000 (39.37)	30 (1.18)
PVC-HC-KF16-250	NW16	250 (9.84)	30 (1.18)
PVC-HC-KF16-500	NW16	500 (19.69)	30 (1.18)
PVC-HC-KF16-750	NW16	750 (29.53)	30 (1.18)
PVC-HC-KF16-1000	NW16	1000 (39.37)	30 (1.18)
PVC-HC-KF25-250	NW25	250 (9.84)	40 (1.57)
PVC-HC-KF25-500	NW25	500 (19.69)	40 (1.57)
PVC-HC-KF25-750	NW25	750 (29.53)	40 (1.57)
PVC-HC-KF25-1000	NW25	1000 (39.37)	40 (1.57)
PVC-HC-KF40-250	NW 40	250 (9.84)	55 (2.17)
PVC-HC-KF40-500	NW 40	500 (19.69)	55 (2.17)
PVC-HC-KF40-750	NW 40	750 (29.53)	55 (2.17)
PVC-HC-KF40-1000	NW 40	1000 (39.37)	55 (2.17)
PVC-HC-KF50-250	NW 50	250 (9.84)	75 (2.95)
PVC-HC-KF50-500	NW 50	500 (19.69)	75 (2.95)
PVC-HC-KF50-750	NW 50	750 (29.53)	75 (2.95)
PVC-HC-KF50-1000	NW 50	1000 (39.37)	75 (2.95)

All measurements are in millimetres (inches in brackets)

NW HOSE NOZZLE CONNECTOR – STAINLESS STEEL



PART NUMBER	PNEUROP	A	D1	D2	T
SS-HNC-KF10	NW10	40 (1.57)	30.0 (1.18)	7 (0.28)	12.0 (0.47)
SS- HNC -KF16	NW16	40 (1.57)	30.0 (1.18)	7 (0.28)	12.0 (0.47)
SS- HNC -KF25	NW25	40 (1.57)	40 (1.57)	7 (0.28)	12.0 (0.47)
SS- HNC -KF40	NW40	40 (1.57)	55 (2.17)	7 (0.28)	12.0 (0.47)
SS- HNC -KF50	NW50	40 (1.57)	75 (2.95)	7 (0.28)	12.0 (0.47)

All measurements are in millimetres (inches in brackets)

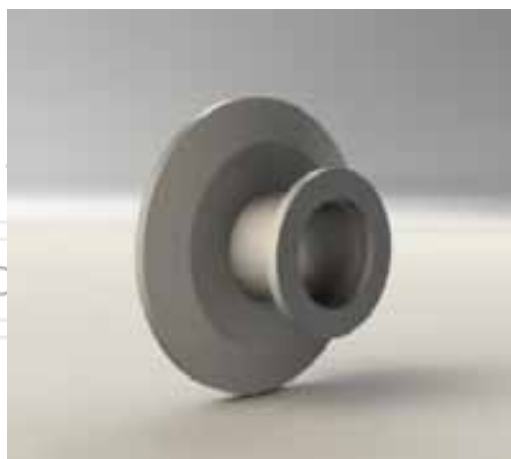
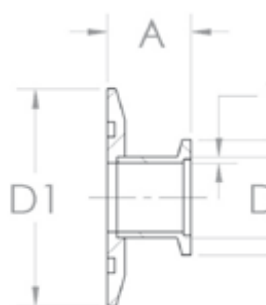
NW STRAIGHT CONNECTOR - STAINLESS STEEL



PART NUMBER	PNEUROP	A	D1	D2	T
SS-SC-KF10	NW10	80 (3.15)	30.0 (1.18)	20 (0.79)	2 (0.08)
SS- SC -KF16	NW16	80 (3.15)	30.0 (1.18)	20 (0.79)	2 (0.08)
SS- SC -KF25	NW25	100 (3.94)	40 (1.57)	28 (1.10)	2 (0.08)
SS- SC -KF40	NW40	130 (5.12)	55 (2.17)	44.5 (1.75)	1.6 (0.06)
SS- SC -KF50	NW50	140 (5.51)	75 (2.95)	57.0 (2.24)	3.0 (0.12)

Special lengths, diameters and imperial tube available on request.
All measurements are in millimetres (inches in brackets)

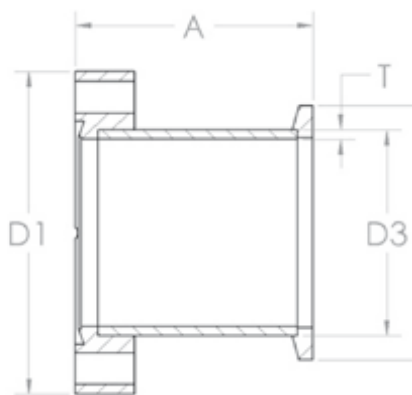
NW REDUCER ADAPTOR - STAINLESS STEEL



PART NUMBER	PNEUROP	A	D1	D2	D3	T
SS-RD-KF2516	NW25/16	28(1.1)	40(1.57)	30(1.18)	20.0(0.79)	2 (0.08)
SS-RD-KF4016	NW 40/16	28(1.1)	55 (2.17)	30(1.18)	20.0(0.79)	2 (0.08)
SS-RD-KF5016	NW50/16	28(1.1)	75 (2.95)	30(1.18)	20.0(0.79)	2 (0.08)
SS-RD-KF4025	NW40/25	28(1.1)	55 (2.17)	40(1.57)	28(1.1)	2 (0.08)
SS-RD-KF5025	NW50/25	28(1.1)	75 (2.95)	40(1.57)	28(1.1)	2 (0.08)
SS-RD-KF5040	NW50/40	28(1.1)	75 (2.95)	55 (2.17)	44.5(1.75)	2 (0.08)

Special lengths, diameters and imperial tube available on request.
All measurements are in millimetres (inches in brackets)

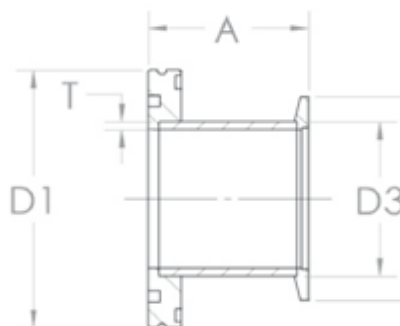
NW TO CF REDUCER ADAPTOR - STAINLESS STEEL



PART NUMBER	PNEUROP	A	D1	D2	D3	T
SS-RD-CF16KF16	CF16/NW16	36 (1.42)	34 (1.34)	30 (1.18)	20.0 (0.79)	2 (0.08)
SS-RD-CF35KF16	CF35/NW16	36 (1.42)	70 (2.76)	30 (1.18)	20.0 (0.79)	2 (0.08)
SS-RD-CF35KF25	CF35/NW25	36 (1.42)	70 (2.76)	40 (1.57)	28.0 (1.10)	2 (0.08)
SS-RD-CF63KF25	CF63/NW25	50 (1.97)	114 (4.49)	40 (1.57)	28.0 (1.10)	2 (0.08)
SS-RD-CF63KF50	CF63/NW50	50 (1.97)	114 (4.49)	75 (2.95)	57.0 (2.24)	3 (0.12)
SS-RD-CF100KF25	CF100/NW25	50 (1.97)	152 (5.98)	40 (1.57)	28.0 (1.10)	2 (0.08)
SS-RD-CF100KF40	CF100/NW40	50 (1.97)	152 (5.98)	55 (2.17)	44.5 (1.75)	2 (0.08)
SS-RD-CF100KF50	CF100/NW50	50 (1.97)	152 (5.98)	75 (2.95)	57.0 (2.24)	3 (0.12)
SS-RD-CF150KF25	CF150/NW25	70 (2.76)	203 (7.99)	40 (1.57)	28.0 (1.10)	2 (0.08)
SS-RD-CF150KF40	CF150/NW40	70 (2.76)	203 (7.99)	55 (2.17)	44.5 (1.75)	2 (0.08)
SS-RD-CF150KF50	CF150/NW50	70 (2.76)	203 (7.99)	75 (2.95)	57.0 (2.24)	3 (0.12)

Special lengths, diameters and imperial tube available on request.
All measurements are in millimetres (inches in brackets)

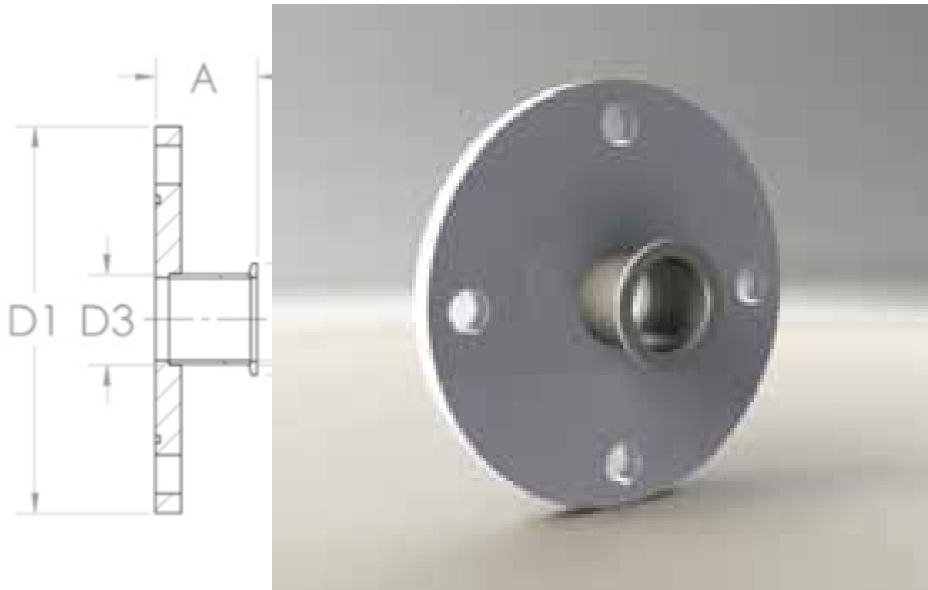
ISO TO NW ADAPTOR - STAINLESS STEEL.



PART NUMBER	PNEUROP	A	D1	D2	D3	T
SS-RD-ISO63KF25	ISO63/NW25	50 (1.97)	95 (3.74)	40 (1.57)	28.0 (1.10)	2 (0.08)
SS-RD-ISO63KF40	ISO63/NW40	50 (1.97)	95 (3.74)	55 (2.17)	44.5 (1.75)	2 (0.08)
SS-RD-ISO63KF50	ISO63/NW50	50 (1.97)	95 (3.74)	75 (2.95)	57.0 (2.24)	3 (0.12)
SS-RD-ISO100KF25	ISO100/NW25	50 (1.97)	130 (5.12)	40 (1.57)	28.0 (1.10)	2 (0.08)
SS-RD-ISO100KF40	ISO100/NW40	50 (1.97)	130 (5.12)	55 (2.17)	44.5 (1.75)	2 (0.08)
SS-RD-ISO100KF50	ISO100/NW50	50 (1.97)	130 (5.12)	75 (2.95)	57.0 (2.24)	3 (0.12)

Special lengths, diameters and imperial tube available on request.
All measurements are in millimetres (inches in brackets)

ASA TO NW **ADAPTOR** - STAINLESS STEEL.

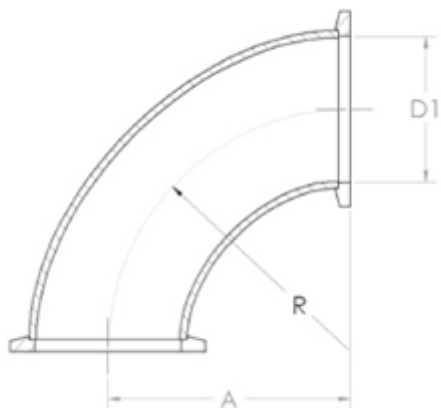


PART NUMBER	PNEUROP	A	D1	D2	D3	T
SS-RD-ASA15KF40	ASA1.5"/NW40	46 (1.81)	127 (5.00)	55 (2.17)	44.5 (1.75)	2 (0.08)
SS-RD-ASA2KF40	ASA2.0"/NW40	46 (1.81)	152 (5.98)	55 (2.17)	44.5 (1.75)	2 (0.08)
SS-RD-ASA3KF40	ASA3.0"/NW40	46 (1.81)	191 (7.52)	55 (2.17)	44.5 (1.75)	2 (0.08)
SS-RD-ASA15KF50	ASA1.5"/NW50	46 (1.81)	127 (5.00)	75 (2.95)	57.0 (2.24)	3 (0.12)
SS-RD-ASA2KF50	ASA2.0"/NW50	46 (1.81)	152 (5.98)	75 (2.95)	57.0 (2.24)	3 (0.12)
SS-RD-ASA3KF50	ASA3.0"/NW50	46 (1.81)	191 (7.52)	75 (2.95)	57.0 (2.24)	3 (0.12)

With O-ring groove

Special lengths, diameters and imperial tube available on request.
All measurements are in millimetres (inches in brackets)

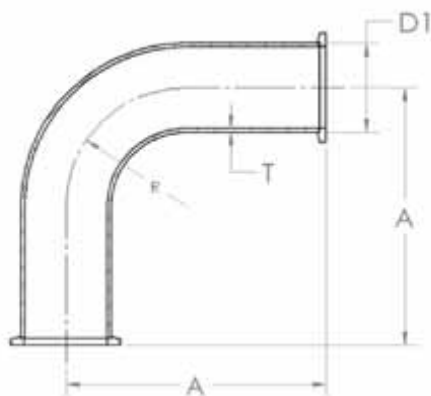
NW 90 DEGRE RADIUS ELBOW- STAINLESS STEEL



PART NUMBER	PNEUROP	A	D1	R
SS-ELR-KF16	NW16	40 (1.57)	20.0 (0.79)	27 (1.06)
SS- ELR-KF25	NW25	50 (1.97)	28.0 (1.10)	37 (1.46)
SS- ELR-KF40	NW40	65 (2.56)	44.5 (1.75)	60 (2.36)
SS- ELR-KF50	NW50	70 (2.76)	57.0 (2.24)	65 (2.56)

Special lengths, diameters and imperial tube available on request.
All measurements are in millimetres (inches in brackets)

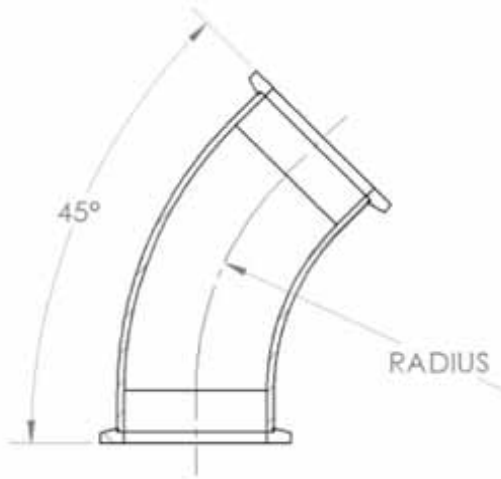
NW LONG RADIUS ELBOW –STAINLESS STEEL



PART NUMBER	PNEUROP	A	D1	R	T
SS-LREL-KF40	NW40	130 (5.12)	44.5 (1.75)	60 (2.36)	2 (0.08)
SS- LREL-KF50	NW50	140 (5.51)	57.0 (2.24)	126 (4.96)	3 (0.12)

Special lengths, diameters and imperial tube available on request.
All measurements are in millimetres (inches in brackets)

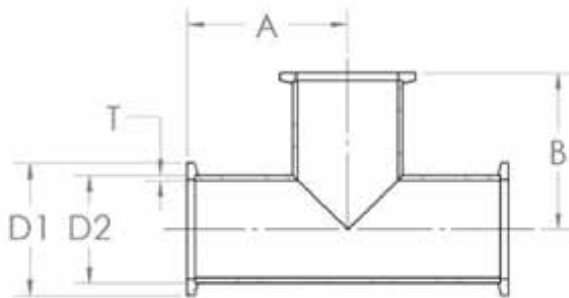
NW 45 DEGRE RADIUS ELBOW- STAINLESS STEEL



PART NUMBER	PNEUROP	R
SS-EL45-KF16	NW16	40 (1.57)
SS-EL45-KF25	NW25	45 (1.77)
SS-EL45-KF40	NW40	51 (2.01)
SS-EL45-KF50	NW50	75 (2.95)

Special lengths, diameters and imperial tube available on request.
All measurements are in millimetres (inches in brackets)

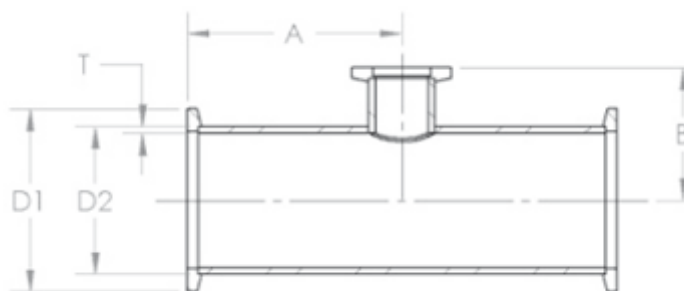
NW TEE- STAINLESS STEEL



PART NUMBER	PNEUROP	A	B	D1	D2	T
SS-TEE-KF16	NW16	40 (1.57)	40 (1.57)	30 (1.18)	20.0 (0.79)	2 (0.08)
SS- TEE-KF25	NW25	50 (1.97)	50 (1.97)	40 (1.57)	28.0 (1.1)	2 (0.08)
SS- TEE-KF40	NW40	65 (2.56)	65 (2.56)	55 (2.17)	44.5 (1.75)	2 (0.08)
SS- TEE-KF50	NW50	70 (2.76)	70 (2.76)	75 (2.95)	57.0 (2.24)	3 (0.12)

Special lengths, diameters and imperial tube available on request.
All measurements are in millimetres (inches in brackets)

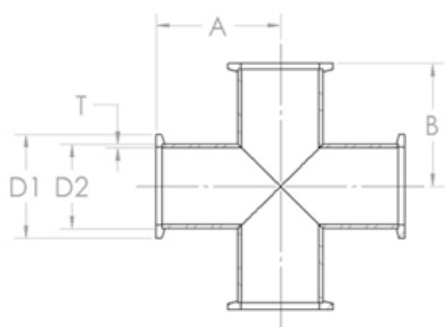
NW UNEQUAL TEE- STAINLESS STEEL



PART NUMBER	PNEUROP	A	B	D1	D2	T
SS-UTEE-KF2516	NW25/16	50 (1.97)	40 (1.57)	40 (1.57)	28.0 (1.10)	2 (0.08)
SS-UTEE-KF4016	NW40/16	65 (2.56)	40 (1.57)	55 (2.17)	44.5 (1.75)	2 (0.08)
SS-UTEE-KF4025	NW40/25	65 (2.56)	50 (1.97)	55 (2.17)	44.5 (1.75)	2 (0.08)
SS-UTEE-KF5016	NW50/16	70 (2.76)	50 (1.97)	75 (2.95)	57.0 (2.24)	3 (0.12)
SS-UTEE-KF5025	NW50/25	70 (2.76)	65 (2.56)	75 (2.95)	57.0 (2.24)	3 (0.12)
SS-UTEE-KF5040	NW50/40	70 (2.76)	65 (2.56)	75 (2.95)	57.0 (2.24)	3 (0.12)

Special lengths, diameters and imperial tube available on request. All measurements are in millimetres

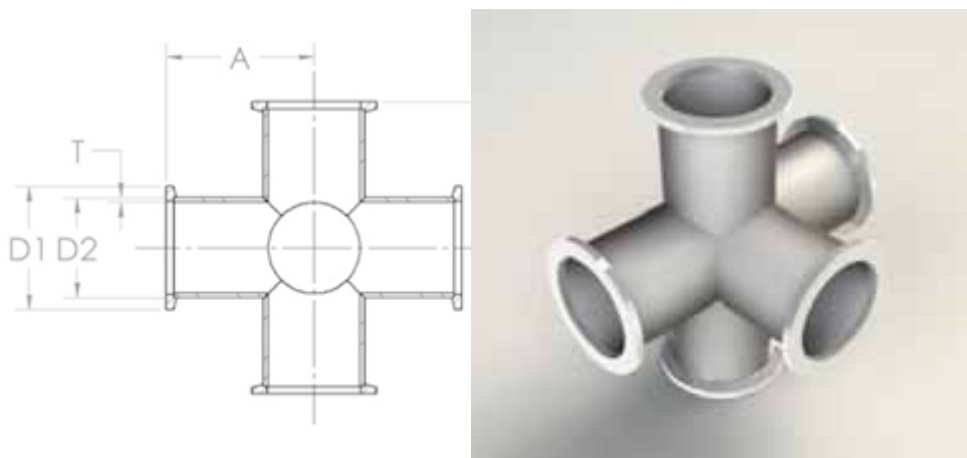
NW 4-WAY CROSS- STAINLESS STEEL



PART NUMBER	PNEUROP	A	B	D1	D2	T
SS-4WCR-KF16	NW16	40(1.57)	40 (1.57)	30 (1.18)	20.0 (0.79)	2 (0.08)
SS-4WCR-KF25	NW25	50 (1.97)	50 (1.97)	40 (1.57)	28.0 (1.10)	2 (0.08)
SS-4WCR-KF40	NW40	65 (2.56)	65 (2.56)	55 (2.17)	44.5 (1.75)	2 (0.08)
SS-4WCR-KF50	NW50	70 (2.76)	70 (2.76)	75 (2.95)	57.0 (2.24)	3 (0.12)

Special lengths, diameters and imperial tube available on request.
All measurements are in millimetres (inches in brackets)

NW 5-WAY CROSS- STAINLESS STEEL

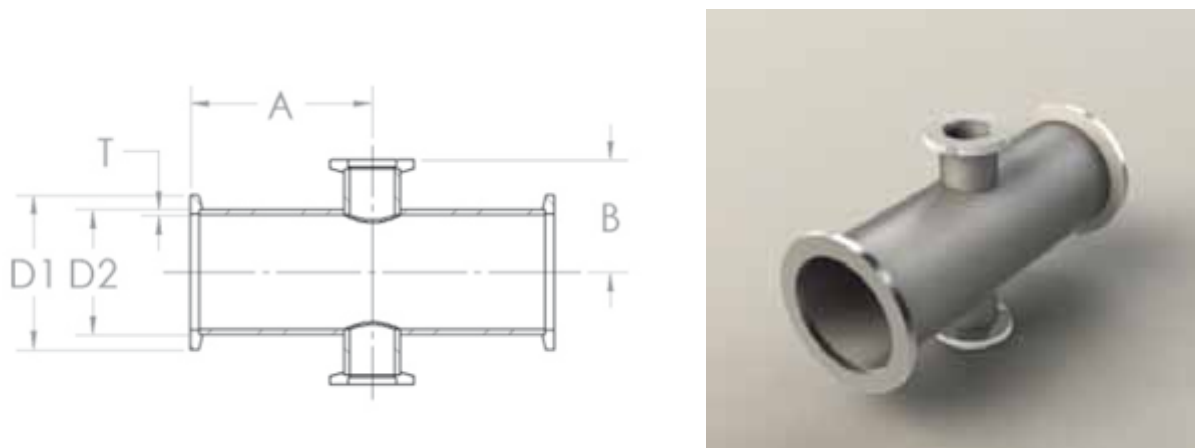


PART NUMBER	PNEUROP	A	B	D1	D2	T
SS-5WCR-KF16	NW16	40(1.57)	40 (1.57)	30 (1.18)	20.0 (0.79)	2 (0.08)
SS-5WCR-KF25	NW25	50 (1.97)	50 (1.97)	40 (1.57)	28.0 (1.10)	2 (0.08)
SS-5WCR-KF40	NW40	65 (2.56)	65 (2.56)	55 (2.17)	44.5 (1.75)	2 (0.08)
SS-5WCR-KF50	NW50	70 (2.76)	70 (2.76)	75 (2.95)	57.0 (2.24)	3 (0.12)

Special lengths, diameters and imperial tube available on request.

All measurements are in millimetres (inches in brackets)

NW 4-WAY REDUCING CROSS FIXED-STAINLESS STEEL

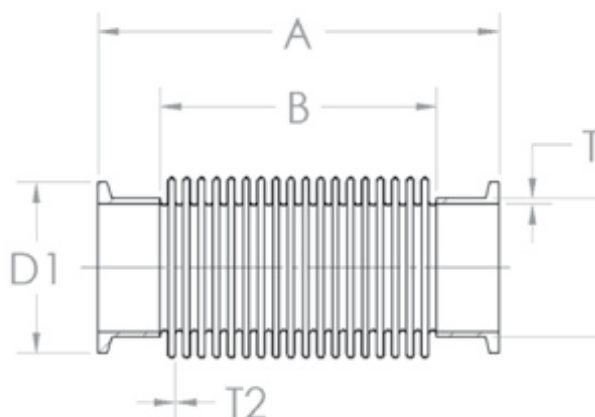


PART NUMBER	PNEUROP	A	B	D1	D2	T
SS-4WRCR-KF25/16	NW25/16	50 (1.97)	40 (1.57)	40 (1.57)	28.0 (1.10)	2 (0.08)
SS-4WRCR-KF40/16	NW40/16	65 (2.56)	40 (1.57)	55 (2.17)	44.5 (1.75)	2 (0.08)
SS-4WRCR-KF40/25	NW40/25	65 (2.56)	50 (1.97)	55 (2.17)	44.5 (1.75)	2 (0.08)
SS-4WRCR-KF50/16	NW50/16	70 (2.76)	50 (1.97)	75 (2.95)	57.0 (2.24)	3 (0.12)
SS-4WRCR-KF50/25	NW50/25	70 (2.76)	50 (1.97)	75 (2.95)	57.0 (2.24)	3 (0.12)
SS-4WRCR-KF50/40	NW50/40	70 (2.76)	65 (2.56)	75 (2.95)	57.0 (2.24)	3 (0.12)

Special lengths, diameters and imperial tube available on request.

All measurements are in millimetres (inches in brackets)

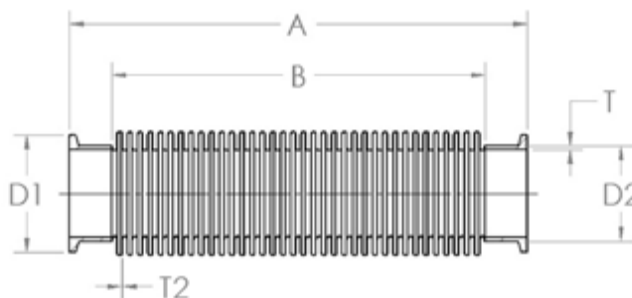
NW FLEXIBLE BELOWS-STAINLESS STEEL



PART NUMBER	PNEUROP	A	B	D1	D2	T1	T2
SS-FXB-KF16	NW16	121 (4.76)	88.0 (3.46)	30 (1.18)	20.0 (0.79)	2.0 (0.08)	0.10 (0.01)
SS-FXB-KF16	NW25	121 (4.76)	85.7 (3.37)	40 (1.57)	27.0 (1.06)	1.5 (0.06)	0.15 (0.01)
SS-FXB-KF16	NW40	121 (4.76)	83.0 (3.27)	55 (2.17)	44.5 (1.75)	1.6 (0.06)	0.20 (0.01)
SS-FXB-KF16	NW50	110 (4.33)	76.0 (2.99)	75 (2.95)	57.0 (2.24)	3.0 (0.12)	0.25 (0.01)

Special lengths, diameters and imperial tube available on request.
All measurements are in millimetres (inches in brackets)

NW FLEXIBLE HOSE- STAINLESS STEEL



PART NUMBER	PNEUROP	A	B	D1	D2	T1	T2
SS-LFXB-KF1625	NW16	250 (9.84)	220 (8.66)	30 (1.18)	20.0 (0.79)	2.0 (0.08)	0.23 (0.01)
SS-LFXB-KF1650	NW16	500 (19.69)	470 (18.5)	30 (1.18)	20.0 (0.79)	2.0 (0.08)	0.23 (0.01)
SS-LFXB-KF1675	NW16	750 (29.53)	720 (28.35)	30 (1.18)	20.0 (0.79)	2.0 (0.08)	0.23 (0.01)
SS-LFXB-KF16100	NW16	1000 (39.37)	970 (38.19)	30 (1.18)	20.0 (0.79)	2.0 (0.08)	0.23 (0.01)
SS-LFXB-KF2525	NW25	250 (9.84)	220 (8.66)	40 (1.57)	27.0 (1.06)	1.5 (0.06)	0.23 (0.01)
SS-LFXB-KF2550	NW25	500 (19.69)	470 (18.5)	40 (1.57)	27.0 (1.06)	1.5 (0.06)	0.23 (0.01)
SS-LFXB-KF2575	NW25	750 (29.53)	720 (28.35)	40 (1.57)	27.0 (1.06)	1.5 (0.06)	0.23 (0.01)
SS-LFXB-KF25100	NW25	1000 (39.37)	970 (38.19)	40 (1.57)	27.0 (1.06)	1.5 (0.06)	0.23 (0.01)
SS-LFXB-KF4025	NW40	250 (9.84)	220 (8.66)	55 (2.17)	44.5 (1.75)	1.6 (0.06)	0.23 (0.01)
SS-LFXB-KF4050	NW40	500 (19.69)	470 (18.5)	55 (2.17)	44.5 (1.75)	1.6 (0.06)	0.23 (0.01)
SS-LFXB-KF4075	NW40	750 (29.53)	720 (28.35)	55 (2.17)	44.5 (1.75)	1.6 (0.06)	0.23 (0.01)
SS-LFXB-KF40100	NW40	1000 (39.37)	970 (38.19)	55 (2.17)	44.5 (1.75)	1.6 (0.06)	0.23 (0.01)
SS-LFXB-KF5025	NW50	250 (9.84)	220 (8.66)	75 (2.95)	57.0 (2.24)	3.0 (0.12)	0.23 (0.01)
SS-LFXB-KF5050	NW50	500 (19.69)	470 (18.5)	75 (2.95)	57.0 (2.24)	3.0 (0.12)	0.23 (0.01)
SS-LFXB-KF5075	NW50	750 (29.53)	720 (28.35)	75 (2.95)	57.0 (2.24)	3.0 (0.12)	0.23 (0.01)
SS-LFXB-KF50100	NW50	1000 (39.37)	970 (38.19)	75 (2.95)	57.0 (2.24)	3.0 (0.12)	0.23 (0.01)

Special lengths, diameters and imperial tube available on request.
All measurements are in millimetres (inches in brackets)